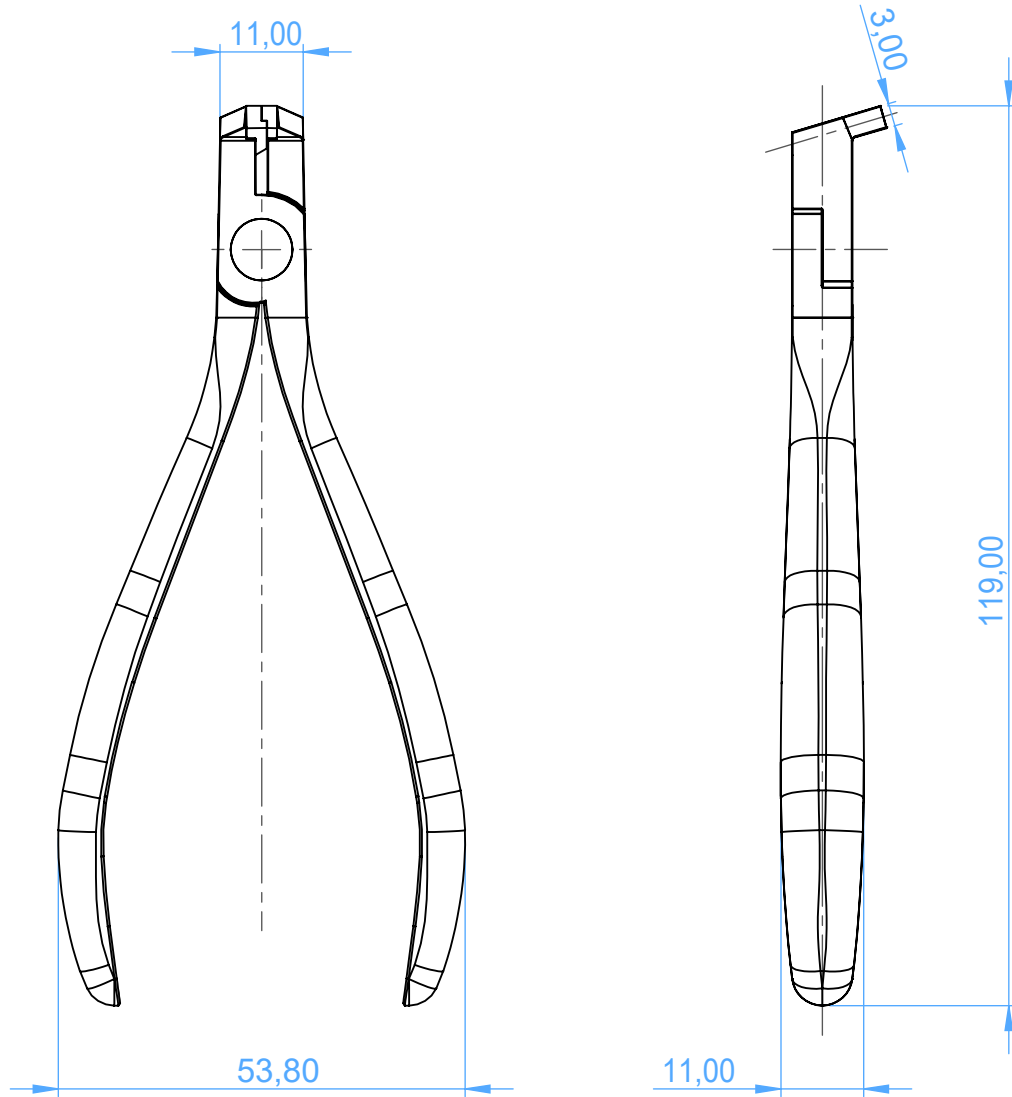


5836 - CUTTERS / Tronchesi

distal end cutter



SCALE 1:1