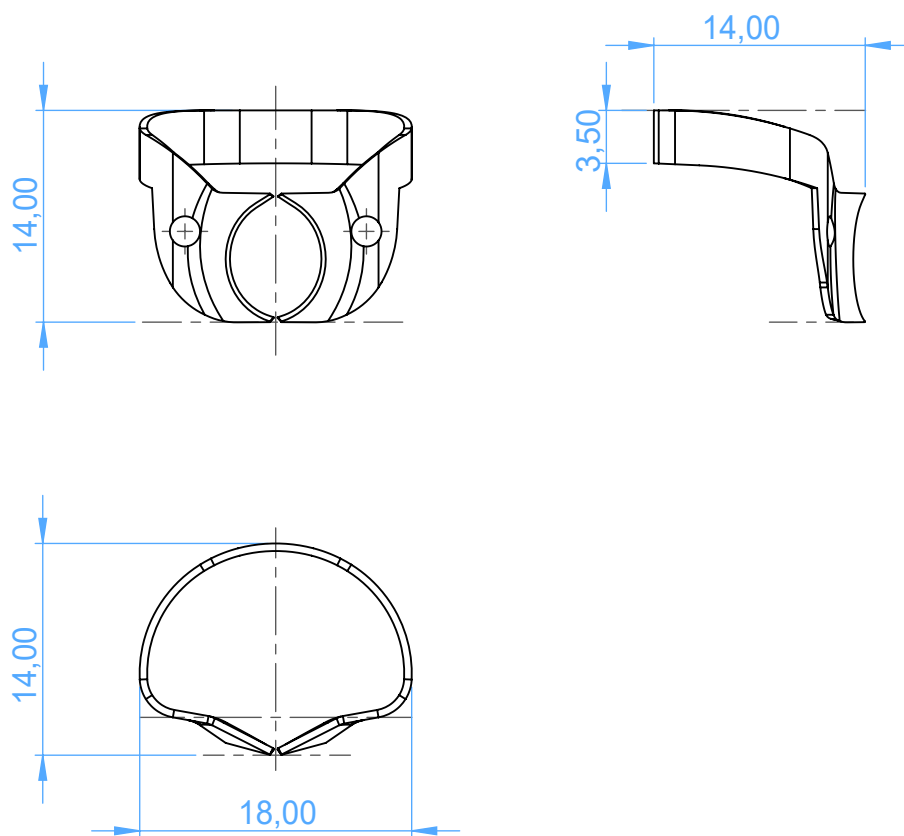


3052-W8A - RUBBER DAM CLAMPS / Uncini per diga

W8A
wingless



SCALE 2:1