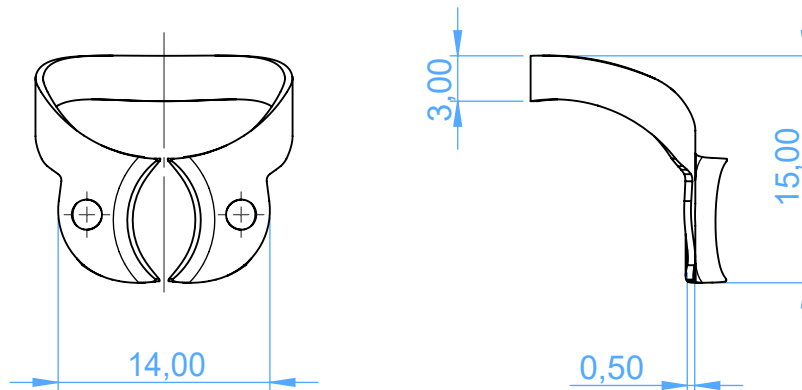


3052-W3 - RUBBER DAM CLAMPS / Uncini per diga

W3
wingless
for small lower molars



SCALE 2:1