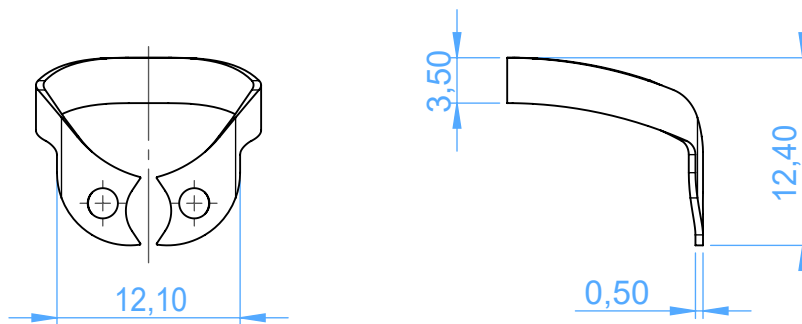


3052-W0 - RUBBER DAM CLAMPS / Uncini per diga

W0
wingless
for elongated teeth
or with small necks



SCALE 2:1