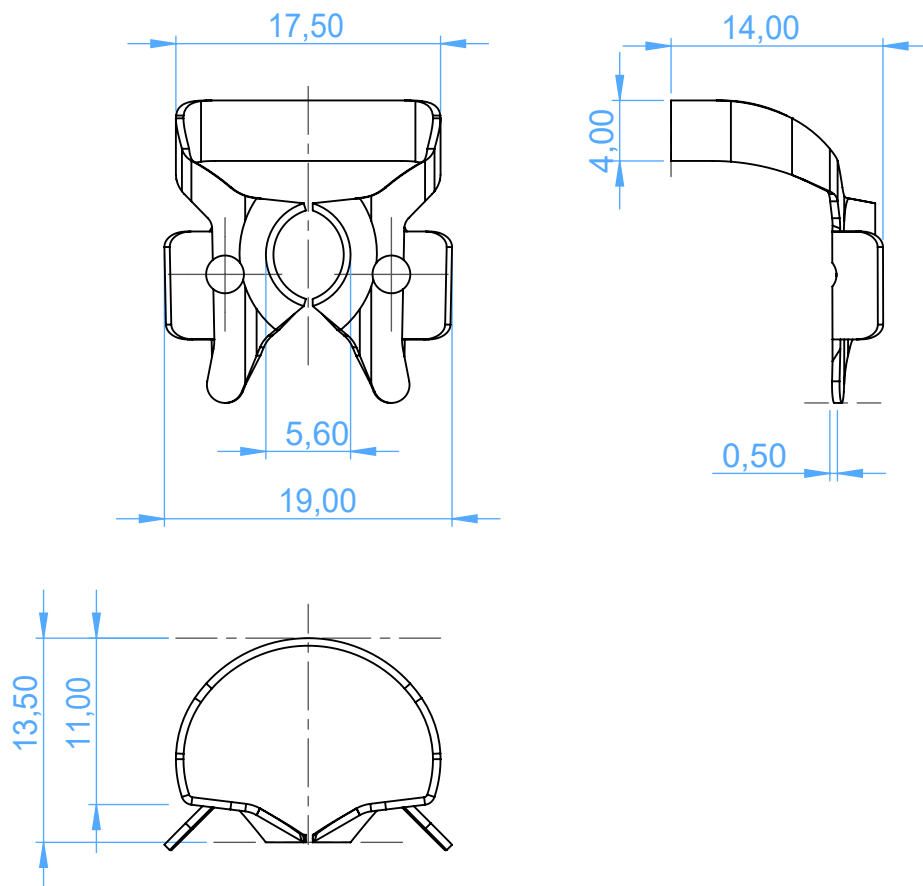


3052-14T - RUBBER DAM CLAMPS / Uncini per diga

14T
winged, serrated



SCALE 2:1