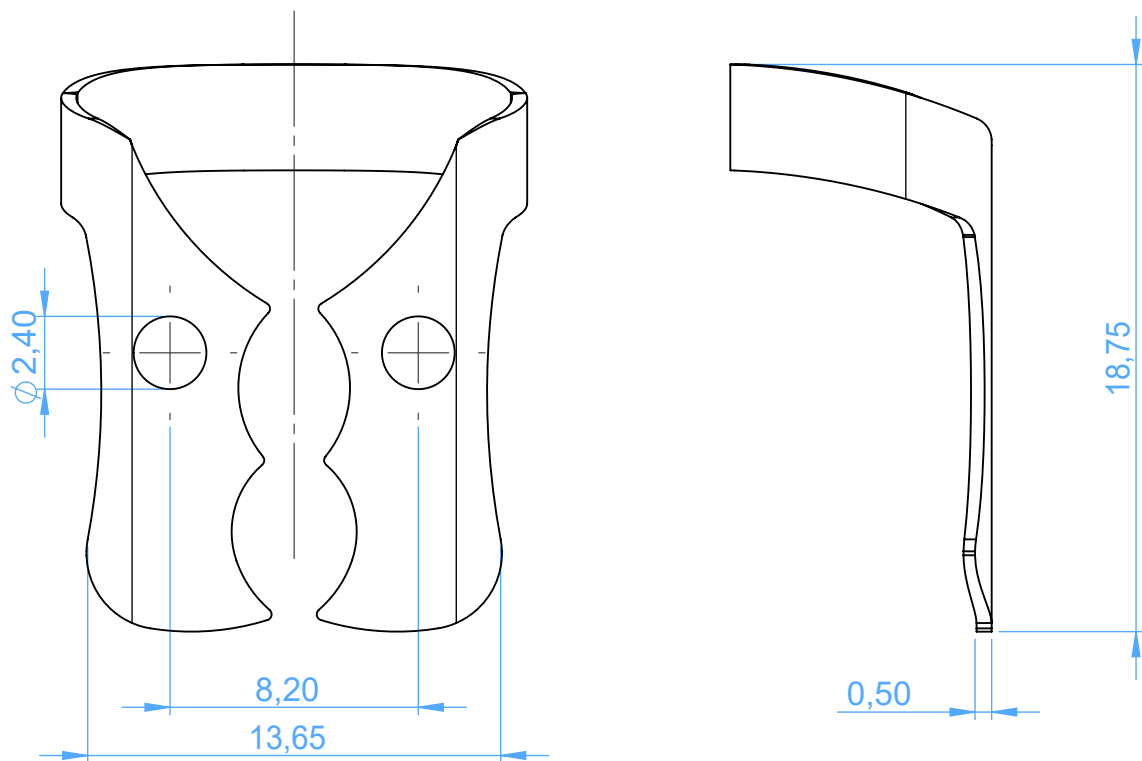


3051-51 - RUBBER DAM CLAMPS / Uncini per diga

51  
wingless  
for upper molars



SCALE 4:1