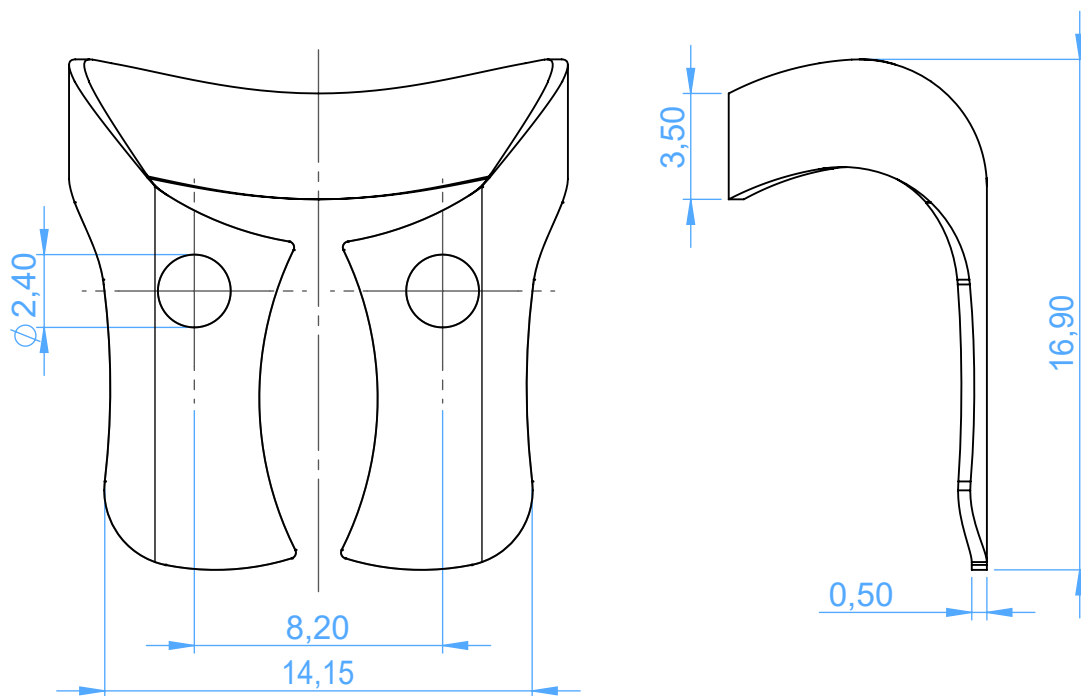


3051-29 - RUBBER DAM CLAMPS / Uncini per diga

29
wingless
primarily for lower
premolars



SCALE 4:1