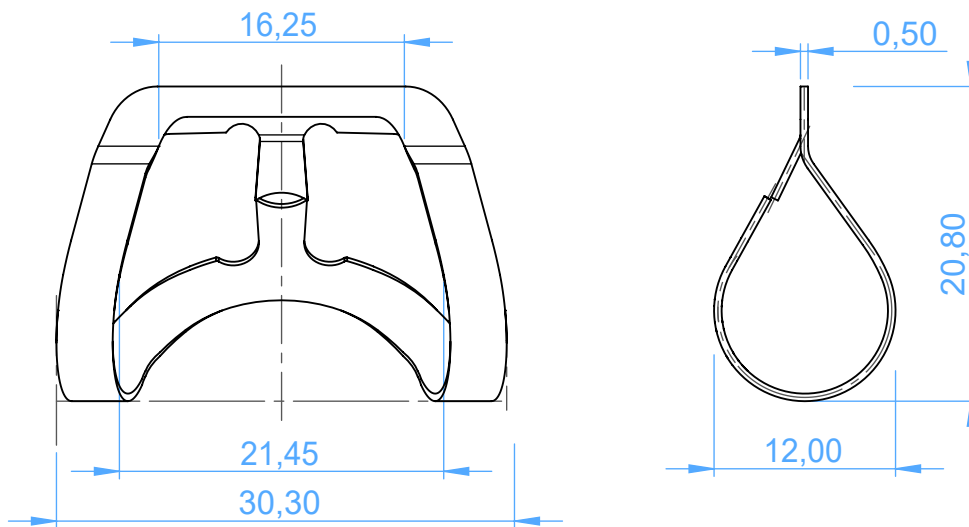


3051-212 - RUBBER DAM CLAMPS / Uncini per diga

212
winged
cervical



SCALE 2:1