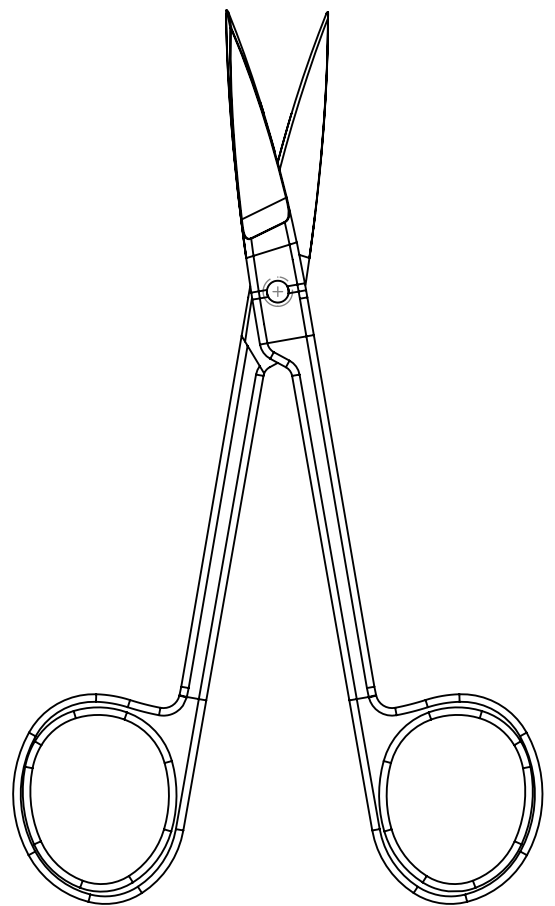
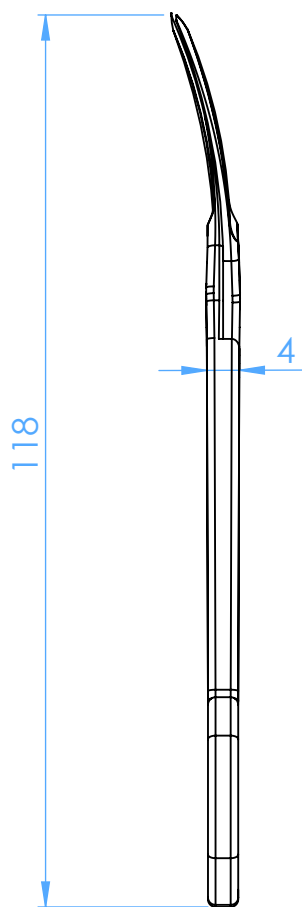


W0319-2 - Gum scissors / Forbicine per gengive

2 curved



SCALE 1:2