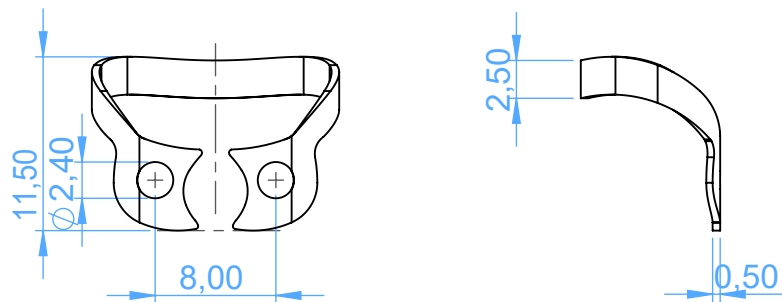


3052-W2 - RUBBER DAM CLAMPS / Uncini per diga

W2
wingless
for general purpose
lower premolars



SCALE 2:1