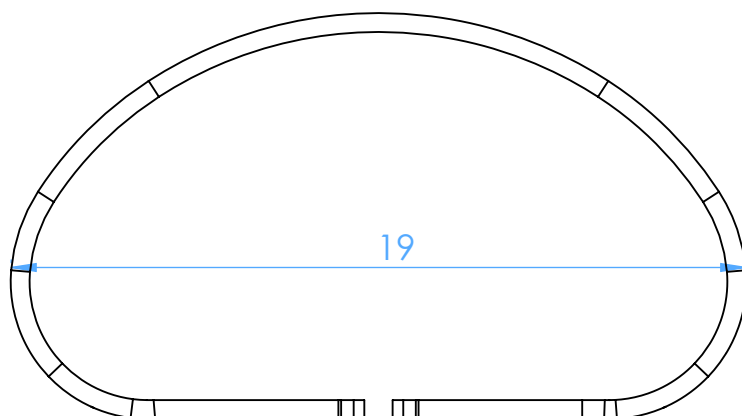
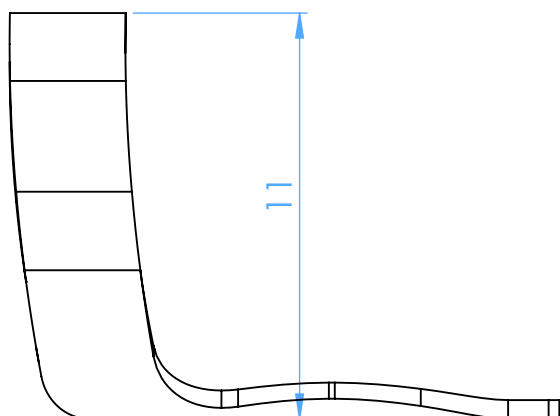


# 3052-W14A - MOLARS / MOLARI

W14A wingless



SCALE 2:1