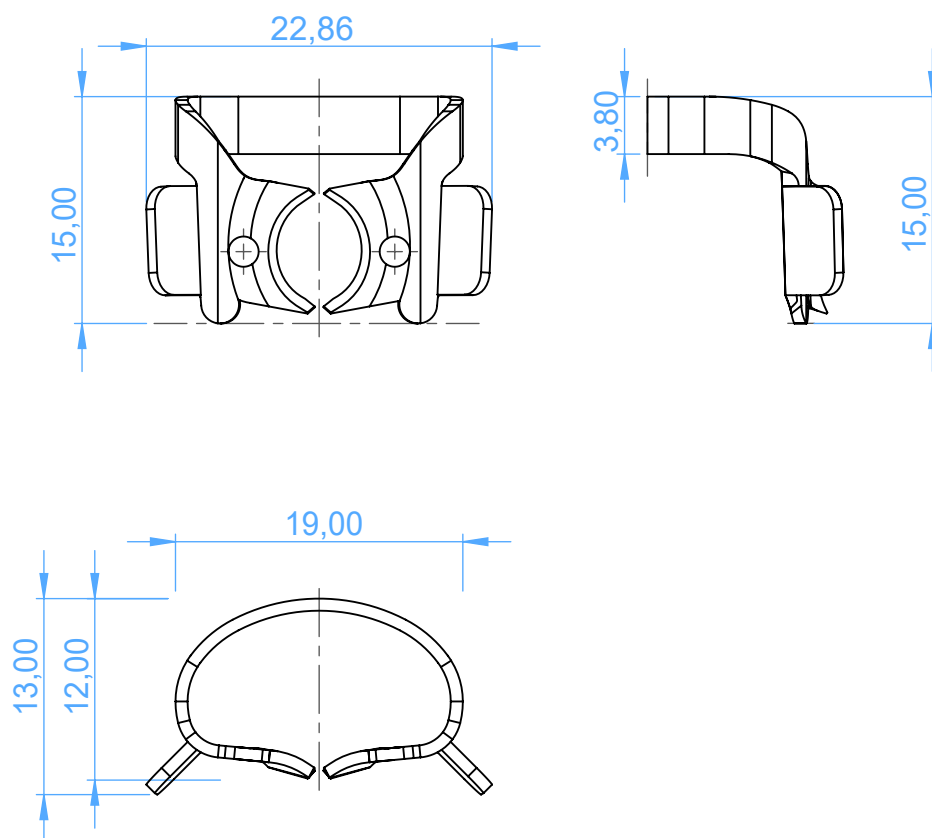


3052-8A - RUBBER DAM CLAMPS / Uncini per diga

8A  
winged



SCALE 2:1