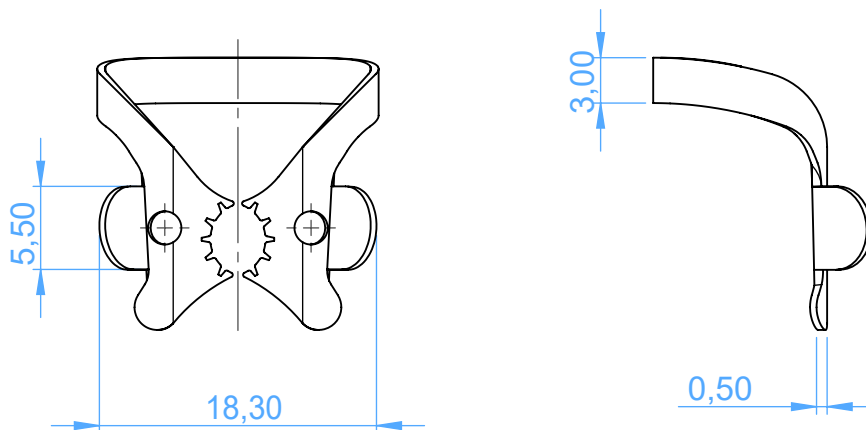


3052-2T - PREMOLARS / PREMOLARI

for general purpose
lower premolars
2T
winged, serrated



SCALE 2:1