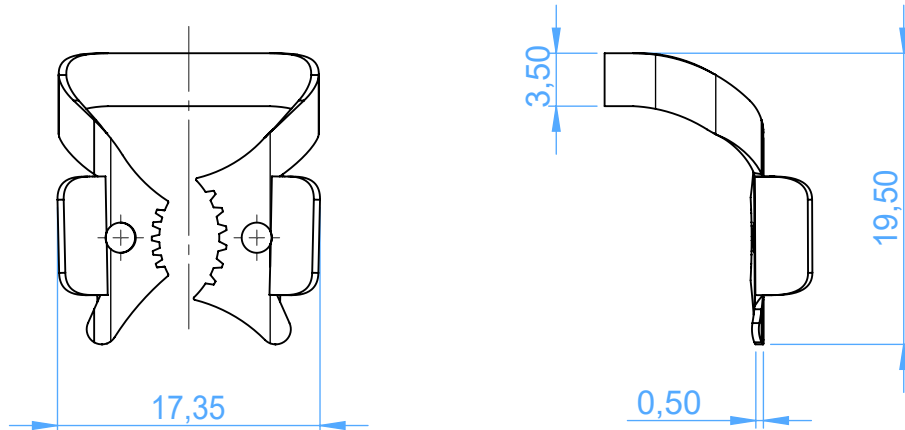


3052-12A - RUBBER DAM CLAMPS / Uncini per diga

12A
winged, serrated
for partially broken
lower molars



SCALE 2:1