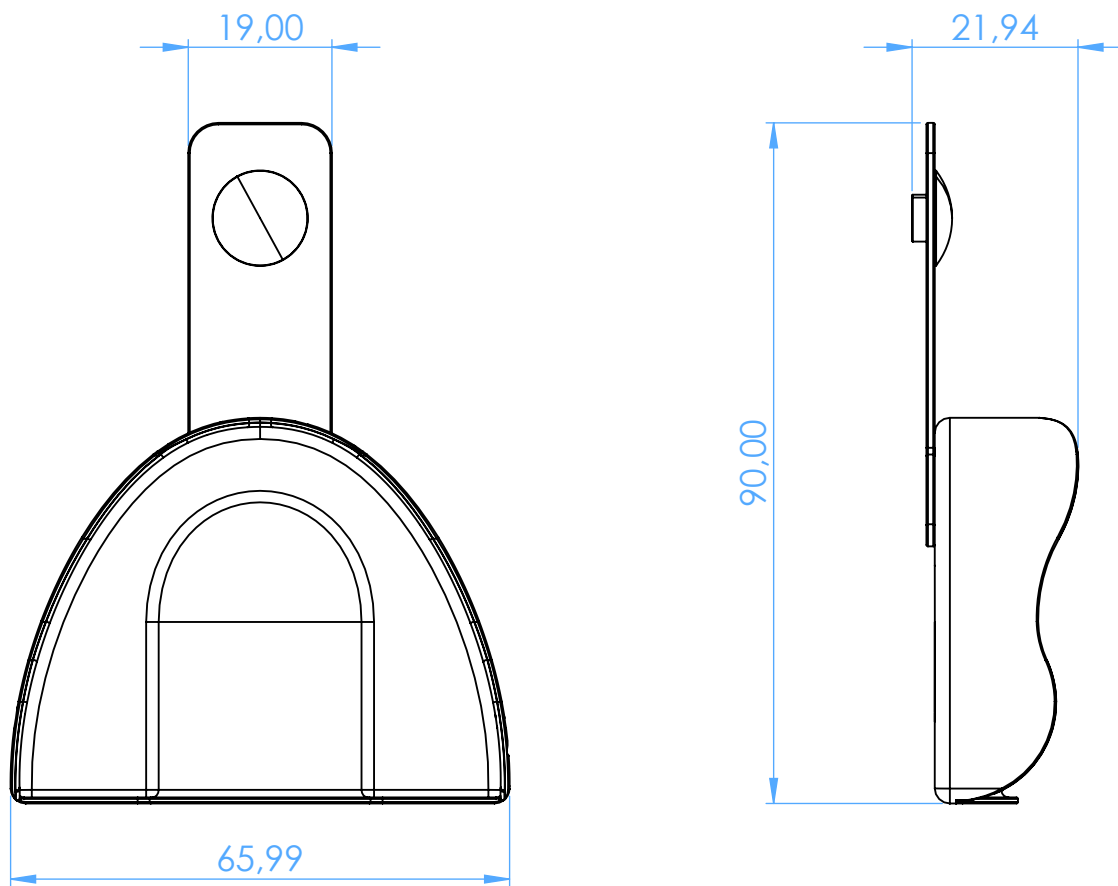


2804-U2A -  
Portaimpronta forati in acciaio inox - PERMA-LOCK  
ANATOMIC / Perforated stainless steel impression trays -  
PERMA-LOCK ANATOMIC



SCALE 1:1